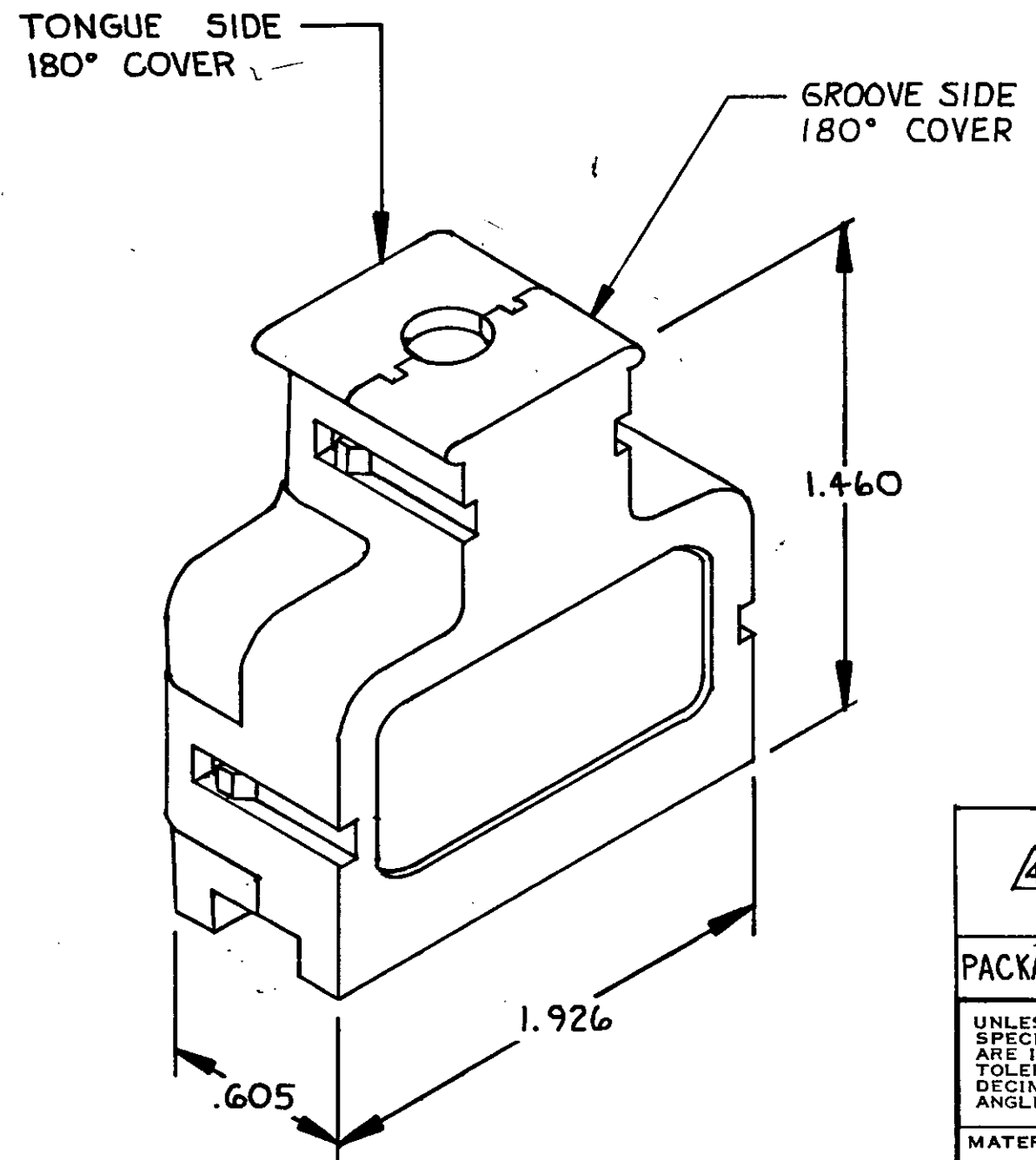


THIS DRAWING IS UNPUBLISHED. RELEASED FOR PUBLICATION  
 © COPYRIGHT

REVISIONS						
P	F	ZONE	LTR	DESCRIPTION	DATE	APPROVED
			L1	REVISED PER ECO-11-005140	30MAR11	HMR

1. ALL DIMENSIONS SHOWN ARE MAXIMUM UNLESS OTHERWISE SPECIFIED.
2. COVERS SHIPPED NOT ASSEMBLED.

△ 100 KITS BULK PACKAGED.



△	.480 - .520	BLACK	552072-6	552071-6	▲ -6
	.360 - .430		552072-5	552071-5	-5
	.290 - .360		552072-1	552071-1	552073-1
PACKAGED	CABLE RANGE DIAMETER	COLOR	GROOVE SIDE PART NO.	TONGUE SIDE PART NO.	KIT PART NO.

UNLESS OTHERWISE SPECIFIED DIMENSIONS ARE IN INCHES. TOLERANCES ON: DECIMALS ± ANGLES ±	CONTRACT NO		TE Connectivity						
	DR	P.K. COLLINS 5-4-83							
	CHK	Stephen Dow 5-6-83	NAME	COVER KIT, 180°, 36 POSITION, CHAMP®					
	MATERIAL	POLYPHENYLENE	APPR	C.F. Morgan 5/9/83	APPR	NOV 5/9/83			
FINISH		DSGN APPD		SIZE	B	FSCM NO	00779	DRAWING NO	552073
		OTHER APPD		SCALE	2:1			SHEET	1 OF 1